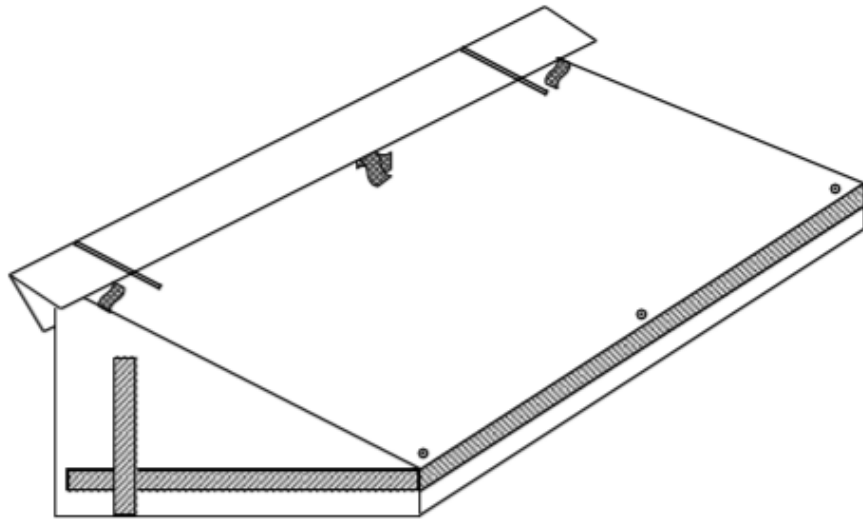


Bag Awning Only Set Up Instructions



Bag Awning Set up

1. Before raising the roof on the camper, unzip the bag and allow the awning to unroll from the bag
2. Raise Roof of camper
3. Adjust long spreader bar in the bag awning pocket to loosely line holes up with corner eyelets
4. Insert corner poles through hole in spreader and eyelet in awning
5. Hook one roof rail into the bracket on camper in one corner of bag and place spike of the upright pole into eyelet hole (attach Velcro around this pole near top of awning)
6. Repeat with the other corner
7. The two centre roof rails are attached by placing the hook at the van and pushing the C clip on to the long spreader bar in the bag awning (note the C Clip will be firm to fit and requires a little force)
8. Adjust and tighten all roof rails and spreader bar thumb screws
9. Attach guy ropes if needed to top or spike and peg down
10. To dismantle reverse instructions

1



2

