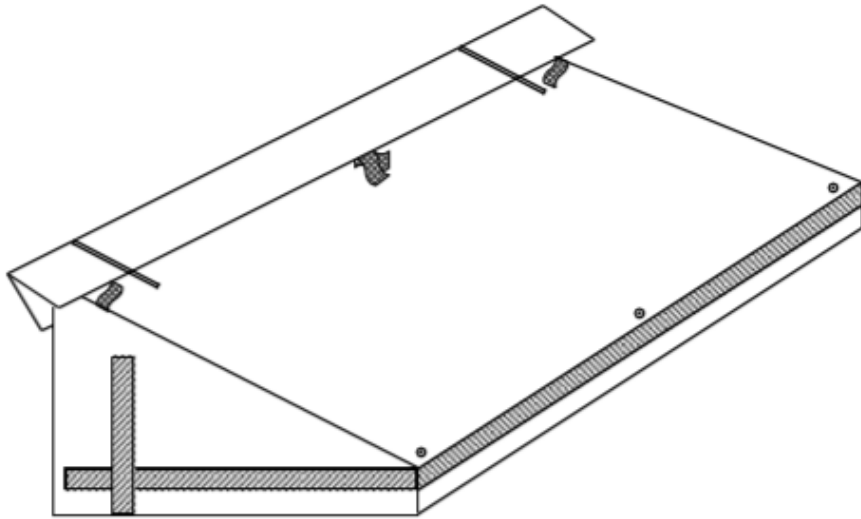
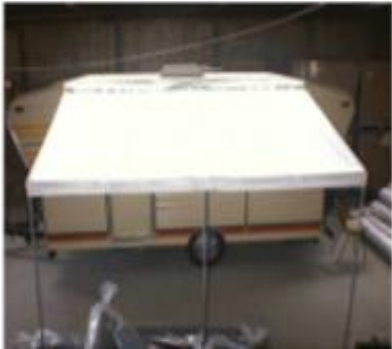


Bag Awning Only Set Up Instructions



1. Unroll awning from bag (camper may be lowered still if needed)
2. Adjust long spreader in pocket to loosely line holes with corner eyelets
3. Insert corner poles through hole in spreader and eyelet in awning
4. Hook one roof rail into the bracket on camper in one corner of bag and place spike of the upright pole into eyelet hole (attach Velcro around this pole near top of awning)
5. Repeat with the other corner
6. Centre is the same with spike going through eyelet
7. Place a small spreader bar (Eyelet on each end) Adjust spreader until tight
8. Attach guy ropes if needed to top or spike and peg down
9. To dismantle reverse instructions
10. Uprights and spring spreaders may be rolled into awning if needed or stored inside camper (recommended)

1



2

